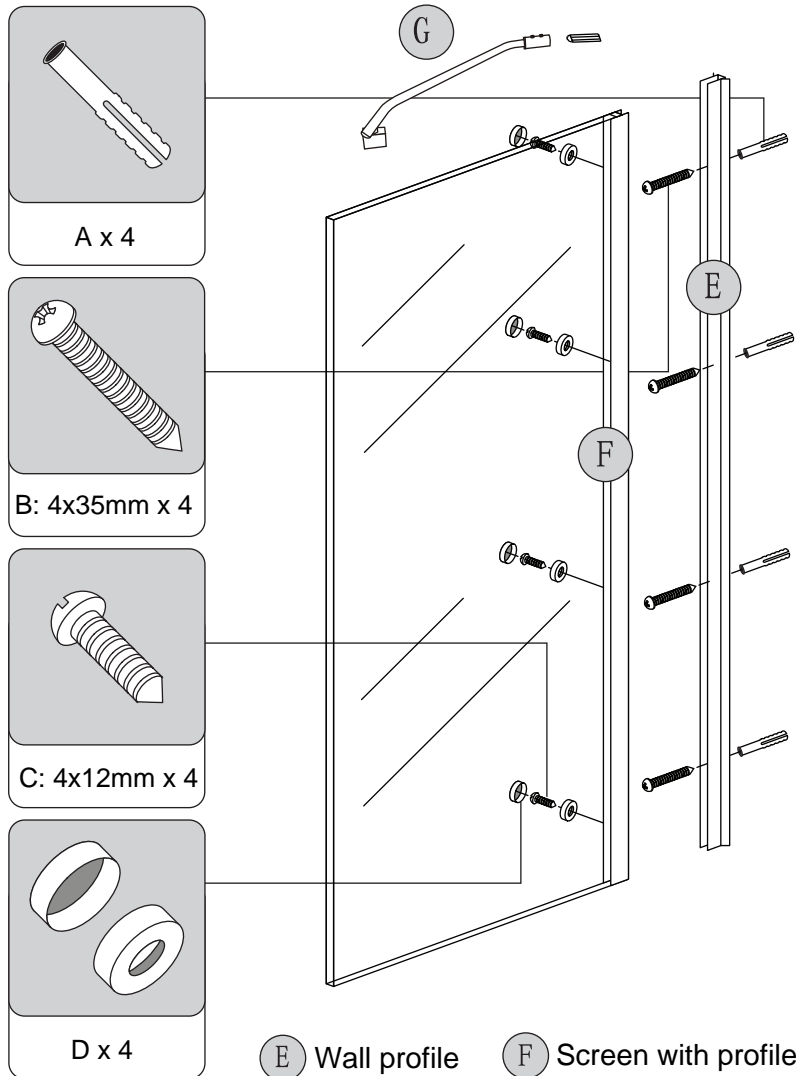




Installation Guide

1 Product Schematic Diagram



E Wall profile **F** Screen with profile

G Wall bracing bar

2 Installing Your Shower screen

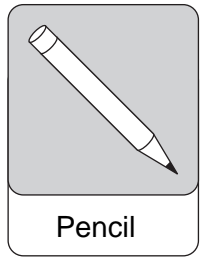
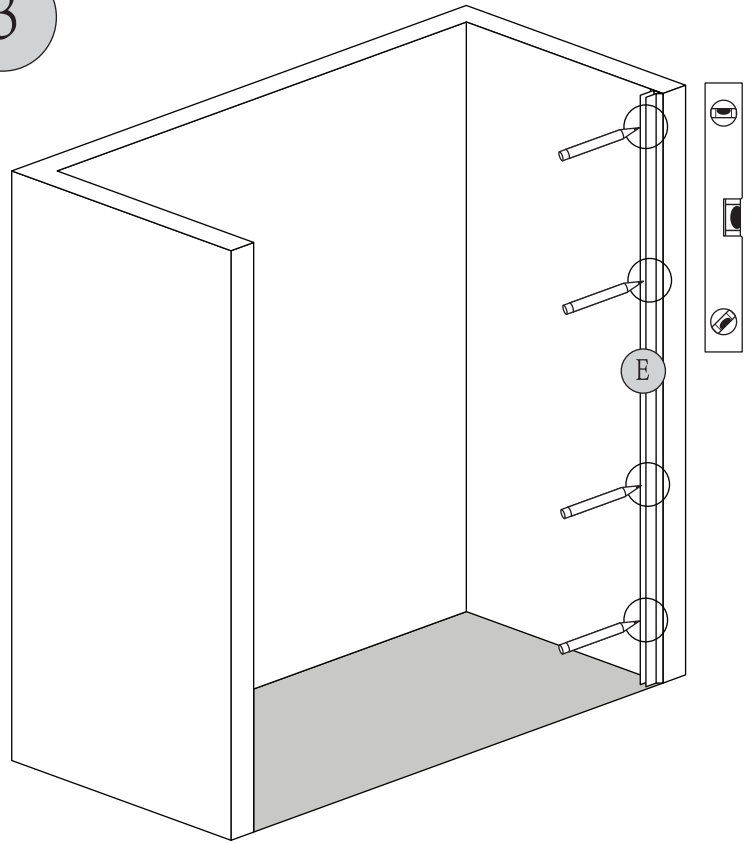
Tools Required

Flat Head Screw Driver	Cross Head Screw Driver	Pencil	Drill Bit
Silicone Gun	Tape measure	Drill	Spirit Level

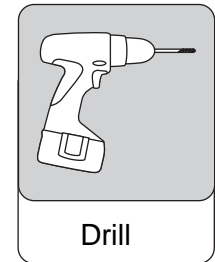
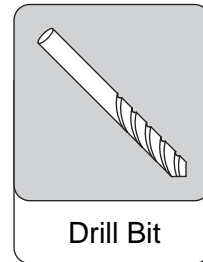
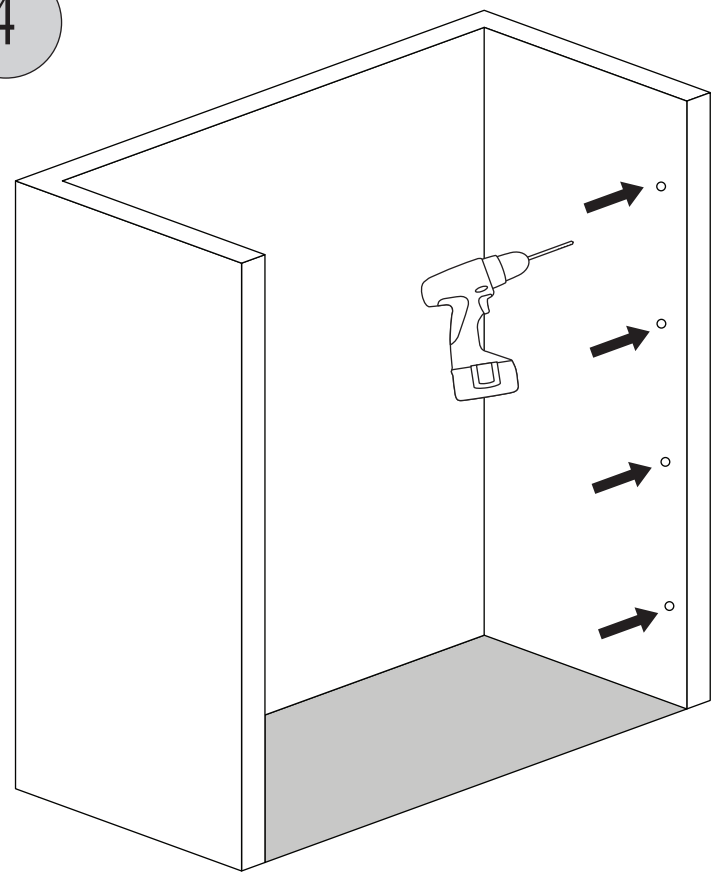
Please note:

Clean the shower screen regularly to prevent lime scale build up.
 Use water and a soft dry cloth,
 (DO NOT use alcohol, gasoline or other chemical cleaners)

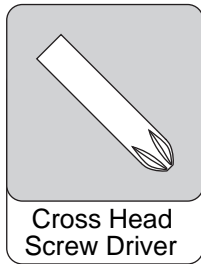
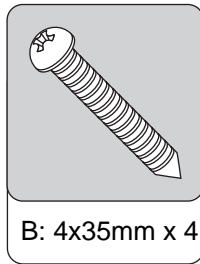
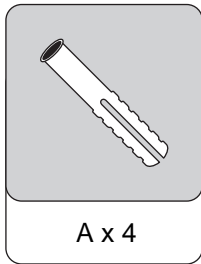
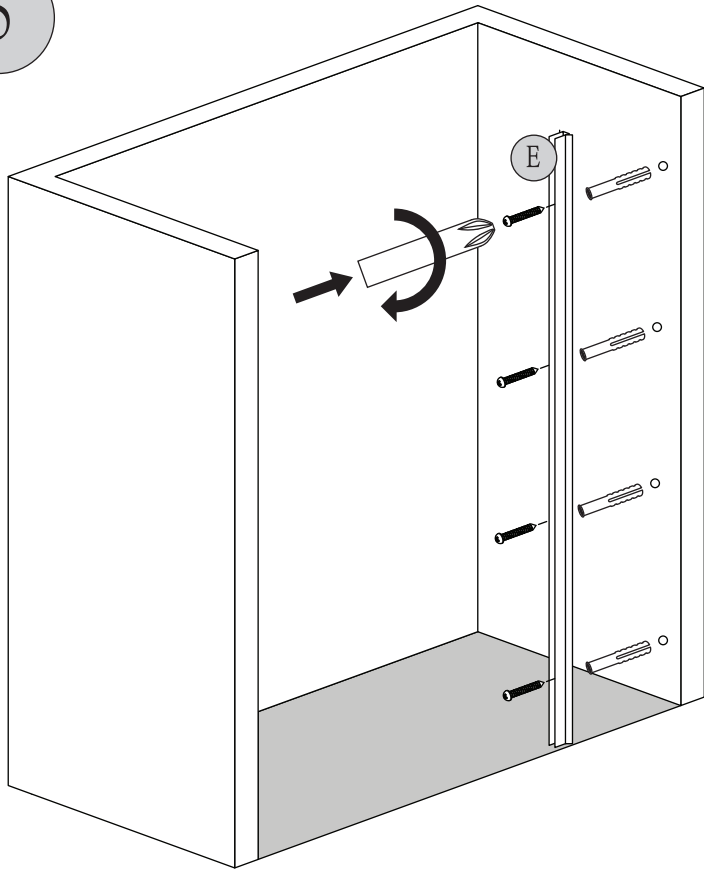
3



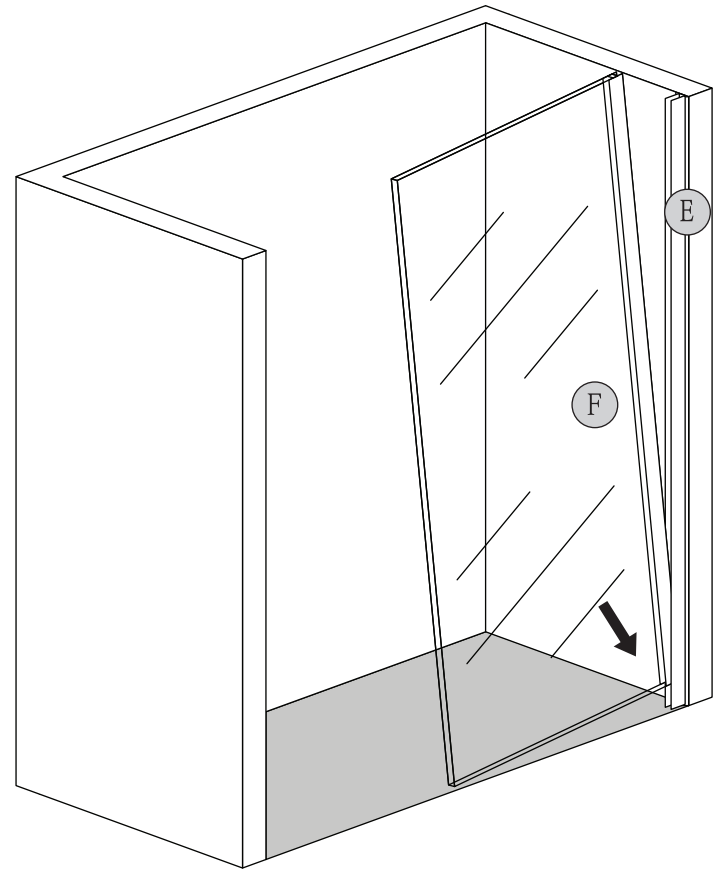
4



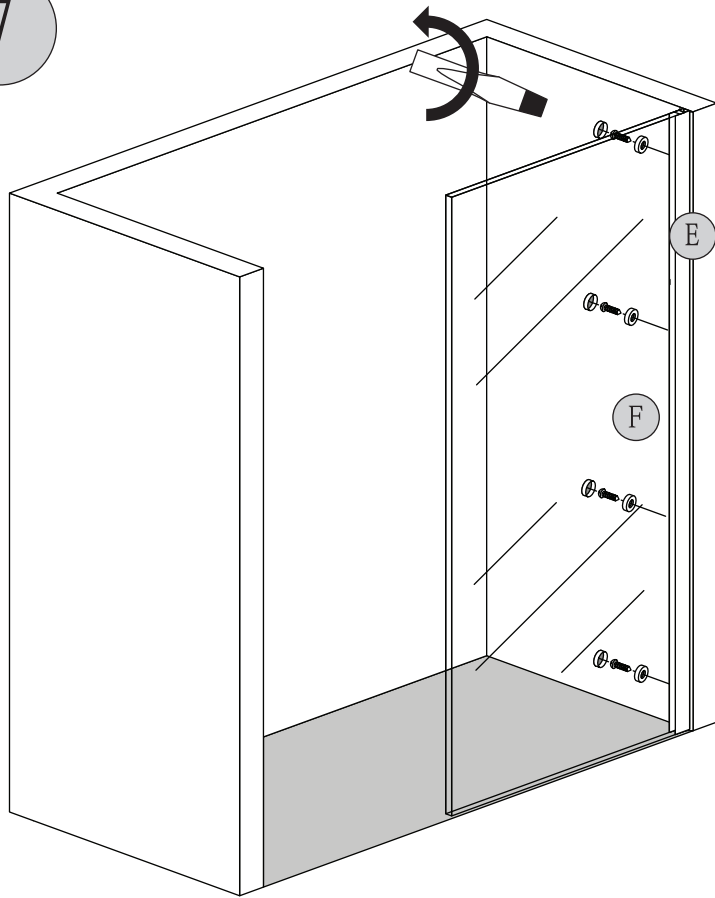
5



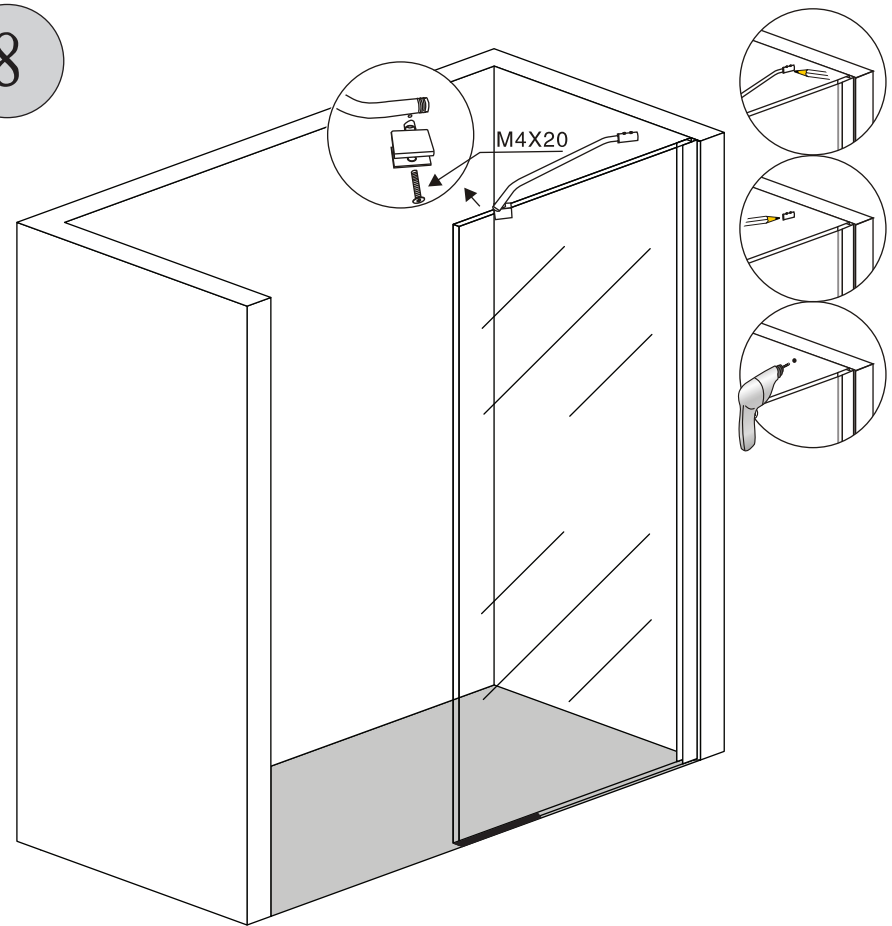
6



7

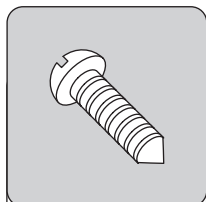


8

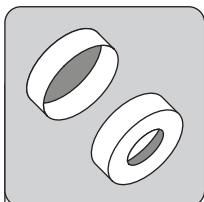


* Drill the wall profile and glass profile from inside.

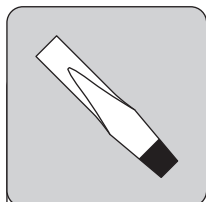
* Do not drill all the way through to the outside.



C: 4x12mm x 4

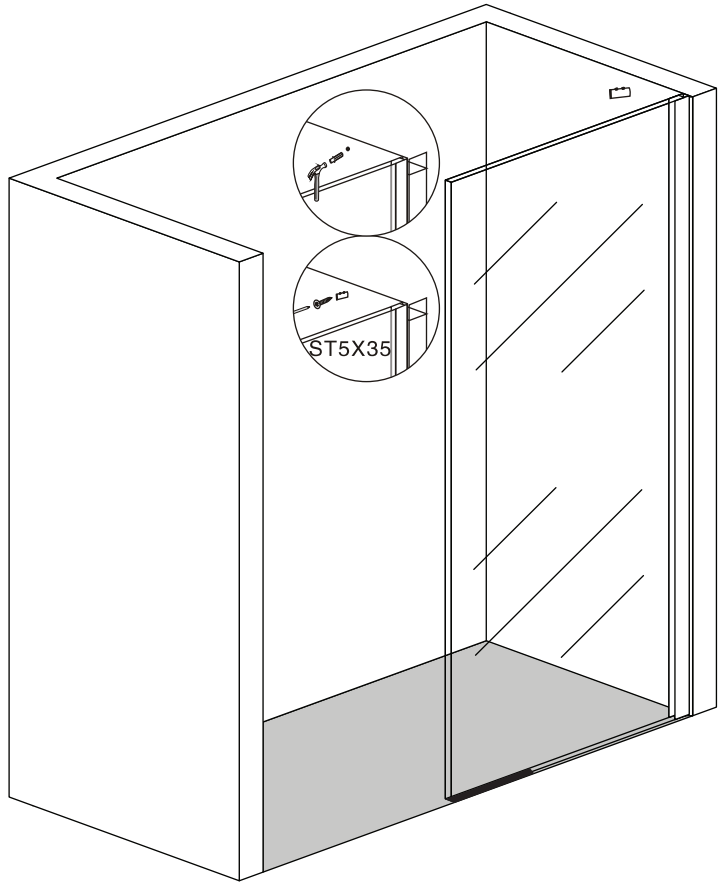


D x 4

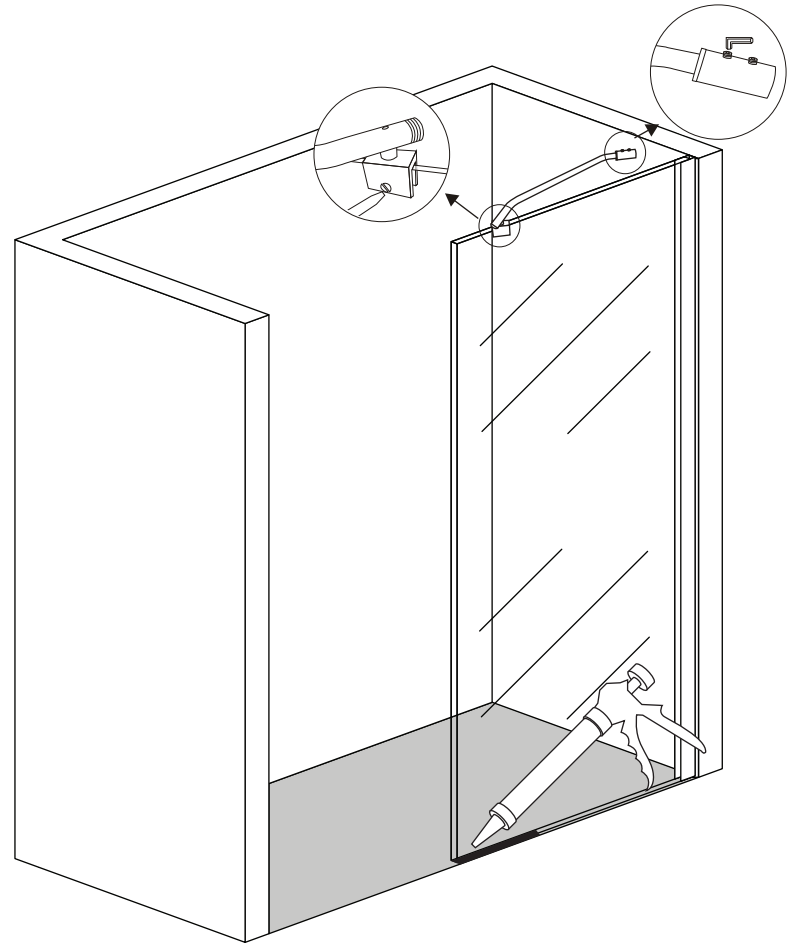


Flat Head
Screw Driver

9



10



- * Apply silicone along the bottom outer edge of the frame
- * Apply silicone outer along the vertical profiles
- * Do not apply silicone from inside
- * Do not use the enclosure for at least 24hours